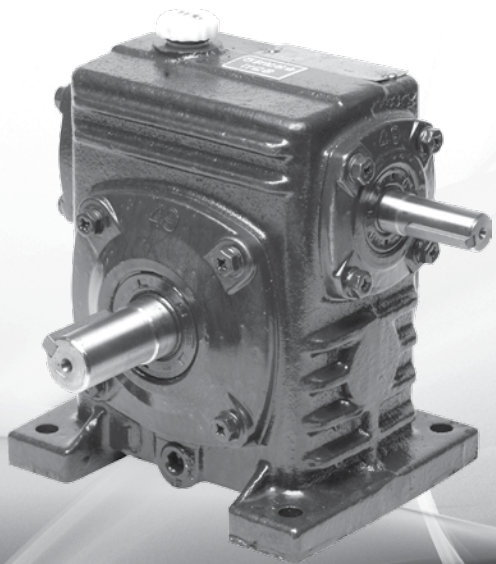


STD Worm Reducer



STD Worm Reducer

SW

120

| 형 번 | |
|-----|------|
| 33 | 33형 |
| 49 | 49형 |
| 60 | 60형 |
| 77 | 77형 |
| 88 | 88형 |
| 96 | 96형 |
| 120 | 120형 |
| 125 | 125형 |
| 140 | 140형 |

10

| 비 율 | |
|------|--------|
| 10 | 1:10 |
| 15 | 1:15 |
| 20 | 1:20 |
| 25 | 1:25 |
| 30 | 1:30 |
| 40 | 1:40 |
| 50 | 1:50 |
| 60 | 1:60 |
| 100 | 1:100 |
| 150 | 1:150 |
| 200 | 1:200 |
| 250 | 1:250 |
| 300 | 1:300 |
| 400 | 1:400 |
| 500 | 1:500 |
| 600 | 1:600 |
| 800 | 1:800 |
| 900 | 1:900 |
| 1000 | 1:1000 |
| 1200 | 1:1200 |
| 1500 | 1:1500 |
| 1600 | 1:1600 |
| 1800 | 1:1800 |
| 2000 | 1:2000 |
| 2400 | 1:2400 |
| 2500 | 1:2500 |
| 3000 | 1:3000 |
| 3600 | 1:3600 |

HB

A

축배치 및 회전

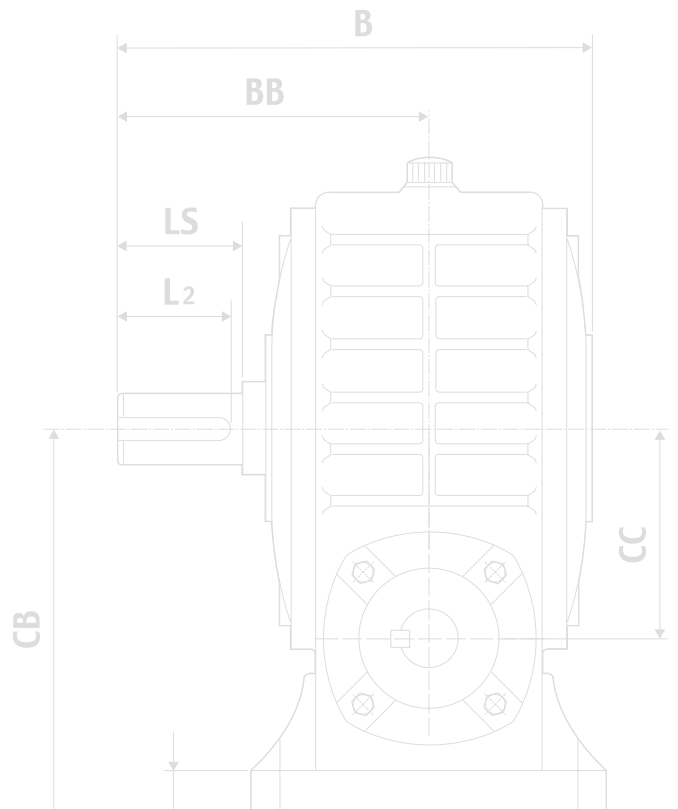
- A A타입
- B B타입
- C C타입
- D D타입
- E E타입
- F F타입

R000

감속기 옵션

형 태

- HU Horizontal - U타입
- HB Horizontal - B타입
- VT Vertical 타입



SW Duty Table

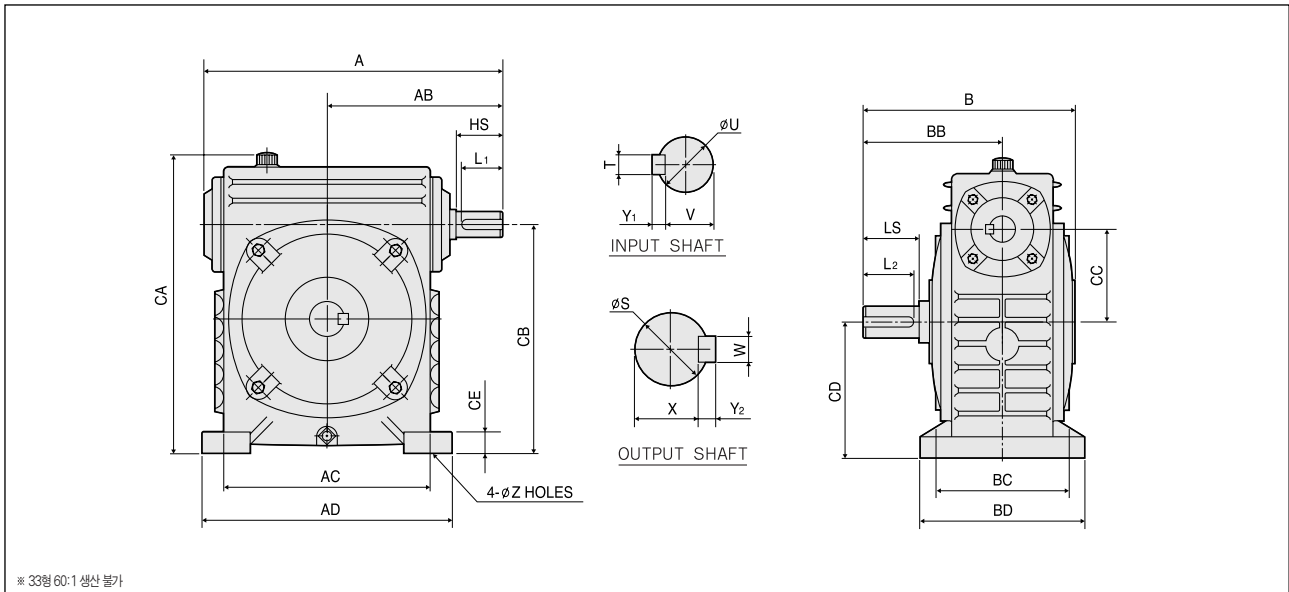
| 구분 | 타입 | 기어비 | 형번별 동력 (kW) | | | | | | | | |
|-------------|----------------|-----|-------------|------|------|------|------|------|------|------|-------|
| | | | 33 | 49 | 60 | 77 | 88 | 96 | 120 | 125 | 140 |
| SINGLE WORM | WU WB WV | 10 | 0.36 | 1.07 | 1.74 | 3.00 | 3.75 | 5.63 | 9.38 | 7.50 | 13.13 |
| | | 15 | 0.25 | 0.80 | 1.30 | 2.25 | 3.00 | 4.50 | 7.50 | 7.50 | 10.50 |
| | | 20 | 0.19 | 0.49 | 0.91 | 1.50 | 2.25 | 3.00 | 5.25 | 5.25 | 7.50 |
| | | 25 | 0.20 | 0.57 | 0.93 | 1.50 | 2.25 | 3.00 | 5.25 | 5.25 | 7.50 |
| | | 30 | 0.17 | 0.51 | 0.86 | 1.50 | 2.25 | 2.63 | 4.50 | 3.75 | 6.75 |
| | | 40 | 0.12 | 0.33 | 0.62 | 1.13 | 1.50 | 2.25 | 3.00 | 3.00 | 5.25 |
| | | 50 | 0.10 | 0.29 | 0.58 | 1.13 | 1.50 | 1.88 | 2.63 | 2.25 | 3.75 |
| | | 60 | | 0.23 | 0.48 | 0.75 | 0.94 | 1.13 | 2.25 | 2.25 | 3.00 |
| DOUBLE WORM | DWB DWV | 200 | | | 0.24 | 0.47 | 0.67 | 0.88 | 1.53 | 1.53 | 2.35 |
| | | 300 | | | 0.17 | 0.33 | 0.48 | 0.63 | 1.10 | 1.10 | 1.68 |
| | | 400 | | | 0.14 | 0.27 | 0.40 | 0.50 | 0.86 | 0.86 | 1.32 |
| | | 500 | | | 0.12 | 0.23 | 0.33 | 0.44 | 0.77 | 0.77 | 1.10 |
| | | 600 | | | 0.10 | 0.19 | 0.29 | 0.38 | 0.66 | 0.66 | 0.98 |
| | | 800 | | | 0.09 | 0.18 | 0.34 | 0.39 | 0.70 | 0.70 | 1.01 |
| | | 900 | | | 0.08 | 0.16 | 0.22 | 0.32 | 0.52 | 0.52 | 0.79 |

주1. 입력 회전수 : 1800 rpm 기준

주2. S.F = 1.0 기준 (10이상을 필요한 경우 연구소에 문의 바랍니다.)

주3. SW33, 1/60은 생산불가

SY-U WORM REDUCER/STD WORM



※ 33형 60:1 생산 불가

※ 120형~140형은 EYE BOLT가 취부됨으로 전체 높이가 45mm 증가됨

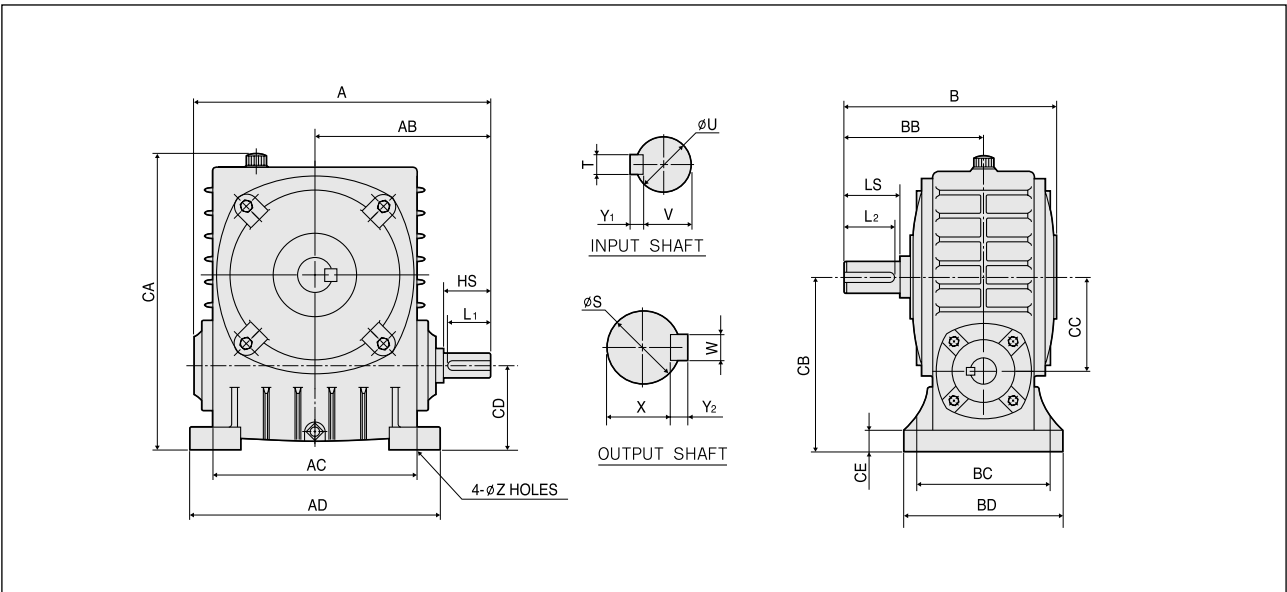
DIMENSION

| FRAME NO. | GEAR RATIO | A | AB | AC | AD | B | BB | BC | BD | CA | CB | CC | CD | CE |
|-----------|------------|-------|-----|-----|-----|-----|-----|-----|-----|-----|-----|-----|-----|----|
| U-33 | 1/10 | 138.5 | 85 | 85 | 110 | 120 | 80 | 80 | 100 | 125 | 88 | 33 | 55 | 12 |
| U-49 | 1/15 | 191 | 117 | 130 | 160 | 172 | 111 | 105 | 130 | 186 | 129 | 49 | 80 | 15 |
| U-60 | 1/20 | 237 | 139 | 140 | 170 | 190 | 122 | 120 | 155 | 220 | 159 | 60 | 99 | 16 |
| U-77 | 1/20 | 248 | 152 | 165 | 200 | 209 | 134 | 125 | 155 | 260 | 198 | 77 | 121 | 20 |
| U-88 | 1/30 | 303 | 180 | 170 | 220 | 227 | 150 | 150 | 180 | 283 | 214 | 88 | 126 | 23 |
| U-96 | 1/40 | 340 | 200 | 220 | 260 | 269 | 167 | 160 | 195 | 299 | 227 | 96 | 131 | 23 |
| U-120 | 1/50 | 385 | 225 | 275 | 325 | 270 | 176 | 170 | 210 | 422 | 293 | 120 | 173 | 27 |
| U-125 | 1/50 | 406 | 241 | 290 | 350 | 287 | 188 | 180 | 235 | 438 | 317 | 125 | 192 | 30 |
| U-140 | 1/60 | 456 | 270 | 290 | 335 | 320 | 210 | 200 | 255 | 478 | 311 | 140 | 171 | 33 |

| FRAME NO. | GEAR RATIO | Z | HS | LS | L1 | L2 | INPUT | | | | OUTPUT | | | |
|-----------|------------|----|----|----|----|----|-------|----|----|----|--------|----|----|----|
| | | | | | | | U | T | Y1 | V | S | W | Y2 | X |
| U-33 | 1/10 | 10 | 25 | 30 | — | 28 | 12 | — | — | — | 15 | 5 | 5 | 12 |
| U-49 | 1/15 | 10 | 35 | 40 | 30 | 38 | 16 | 5 | 5 | 13 | 23 | 7 | 7 | 19 |
| U-60 | 1/20 | 11 | 40 | 45 | 35 | 40 | 18 | 5 | 5 | 15 | 28 | 7 | 7 | 24 |
| U-77 | 1/20 | 13 | 45 | — | 40 | 50 | 23 | 7 | 7 | 19 | 30 | 7 | 7 | 26 |
| U-88 | 1/30 | 14 | 55 | — | 50 | 55 | 28 | 7 | 7 | 24 | 35 | 10 | 8 | 30 |
| U-96 | 1/40 | 14 | 55 | 60 | 50 | 55 | 28 | 7 | 7 | 24 | 38 | 10 | 8 | 33 |
| U-120 | 1/50 | 18 | 60 | 70 | 55 | 65 | 32 | 10 | 8 | 27 | 43 | 12 | 8 | 38 |
| U-125 | 1/50 | 19 | 60 | 80 | 55 | 75 | 35 | 10 | 8 | 30 | 50 | 12 | 8 | 45 |
| U-140 | 1/60 | 19 | 75 | 90 | 70 | 80 | 38 | 10 | 8 | 33 | 60 | 15 | 10 | 55 |

※ 33형 60:1 생산 불가

SY-B WORM REDUCER/STD WORM



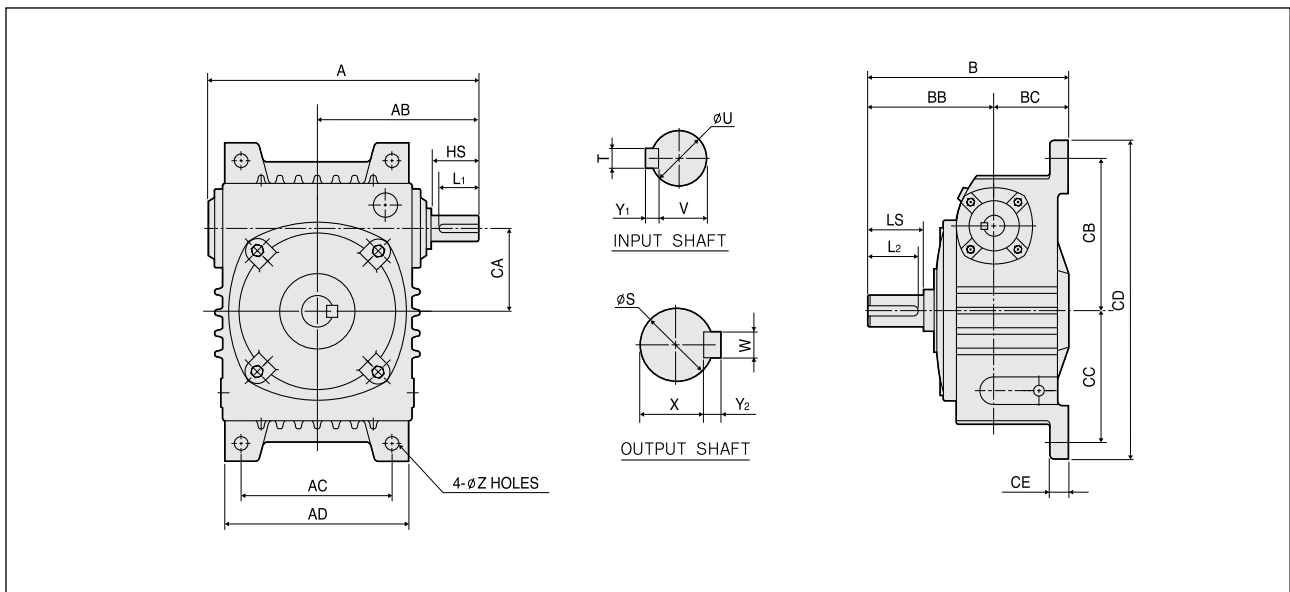
*120형~140형은 EYE BOLT가 취부됨으로 전체 높이가 45mm 증가됨

DIMENSION

| FRAME NO. | GEAR RATIO | A | AB | AC | AD | B | BB | BC | BD | CA | CB | CC | CD | CE |
|-----------|------------|-----|-----|-----|-----|-----|-----|-----|-----|-----|-----|-----|-----|----|
| B-49 | 1/10 | 191 | 117 | 130 | 160 | 172 | 112 | 105 | 130 | 186 | 114 | 49 | 65 | 15 |
| B-60 | 1/15 | 227 | 139 | 140 | 170 | 190 | 122 | 120 | 155 | 220 | 131 | 60 | 71 | 16 |
| B-77 | 1/20 | 248 | 152 | 165 | 200 | 209 | 134 | 125 | 155 | 257 | 150 | 77 | 73 | 20 |
| B-88 | 1/30 | 303 | 180 | 170 | 220 | 227 | 150 | 150 | 180 | 283 | 171 | 88 | 83 | 23 |
| B-96 | 1/30 | 340 | 200 | 220 | 260 | 269 | 167 | 160 | 195 | 314 | 180 | 96 | 84 | 23 |
| B-120 | 1/40 | 385 | 225 | 275 | 325 | 270 | 176 | 170 | 210 | 422 | 227 | 120 | 107 | 27 |
| B-125 | 1/50 | 406 | 241 | 290 | 350 | 287 | 188 | 180 | 235 | 438 | 237 | 125 | 112 | 30 |
| B-140 | 1/60 | 456 | 270 | 290 | 355 | 320 | 210 | 200 | 255 | 478 | 259 | 140 | 119 | 33 |

| FRAME NO. | GEAR RATIO | Z | HS | LS | L1 | L2 | INPUT | | | | OUTPUT | | | |
|-----------|------------|----|----|----|----|----|-------|----|----|----|--------|----|----|----|
| | | | | | | | U | T | Y1 | V | S | W | Y2 | X |
| B-49 | 1/10 | 10 | 35 | 40 | 30 | 38 | 16 | 5 | 5 | 13 | 23 | 7 | 7 | 19 |
| B-60 | 1/15 | 11 | 40 | 45 | 35 | 40 | 18 | 5 | 5 | 15 | 28 | 7 | 7 | 24 |
| B-77 | 1/20 | 13 | 45 | — | 40 | 50 | 23 | 7 | 7 | 19 | 30 | 7 | 7 | 26 |
| B-88 | 1/30 | 14 | 55 | — | 50 | 55 | 28 | 7 | 7 | 24 | 35 | 10 | 8 | 30 |
| B-96 | 1/30 | 14 | 55 | 60 | 50 | 55 | 28 | 7 | 7 | 24 | 38 | 10 | 8 | 33 |
| B-120 | 1/40 | 18 | 60 | 70 | 55 | 65 | 32 | 10 | 8 | 27 | 43 | 12 | 8 | 38 |
| B-125 | 1/50 | 19 | 60 | 80 | 55 | 75 | 35 | 10 | 8 | 30 | 50 | 12 | 8 | 45 |
| B-140 | 1/60 | 19 | 75 | 90 | 70 | 80 | 38 | 10 | 8 | 33 | 60 | 15 | 10 | 55 |

SY-V WORM REDUCER/STD WORM

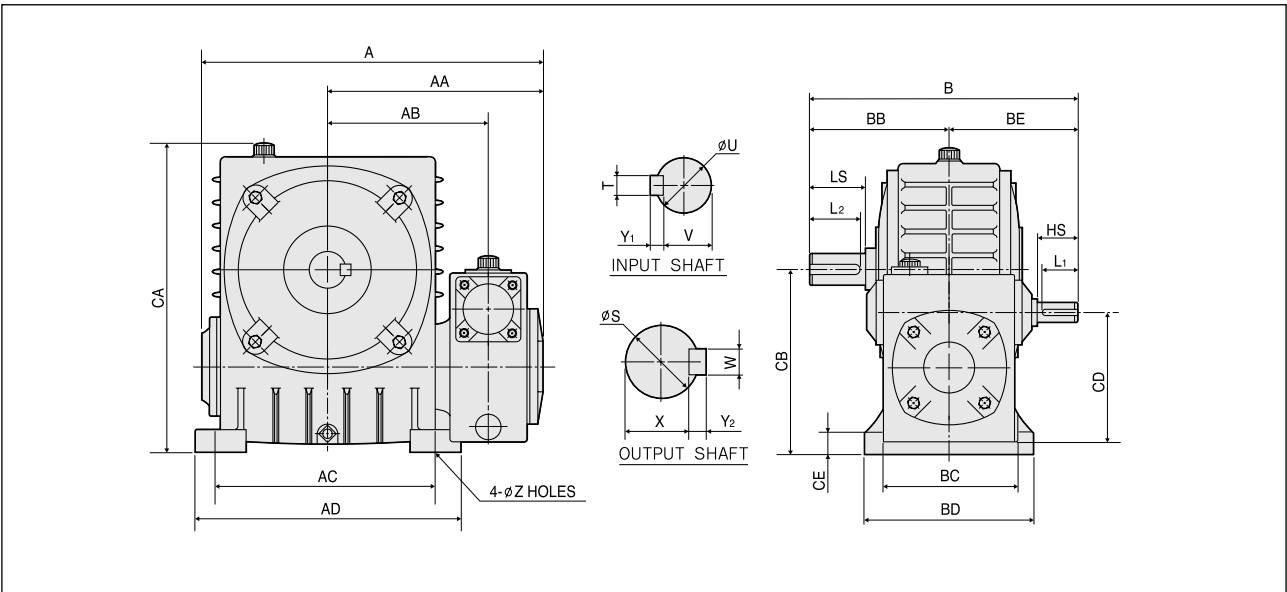


DIMENSION

| FRAME NO. | GEAR RATIO | A | AB | AC | AD | B | BB | BC | CA | CB | CC | CD | CE |
|-----------|------------|-------|-----|-----|-----|-----|-----|-----|-----|-----|-----|-----|----|
| V-49 | 1/10 | 191 | 117 | 92 | 125 | 177 | 111 | 66 | 49 | 107 | 85 | 215 | 13 |
| V-60 | 1/15 | 227 | 139 | 105 | 150 | 192 | 122 | 70 | 60 | 130 | 103 | 265 | 15 |
| V-77 | 1/20 | 256 | 152 | 125 | 166 | 209 | 134 | 71 | 77 | 153 | 107 | 300 | 17 |
| V-88 | 1/30 | 303 | 180 | 145 | 195 | 231 | 150 | 81 | 88 | 165 | 130 | 325 | 23 |
| V-96 | 1/40 | 340 | 200 | 180 | 232 | 258 | 167 | 91 | 96 | 175 | 140 | 355 | 23 |
| V-120 | 1/40 | 385 | 225 | 195 | 260 | 271 | 178 | 95 | 120 | 220 | 155 | 415 | 27 |
| V-125 | 1/50 | 389.5 | 225 | 221 | 270 | 309 | 190 | 119 | 125 | 220 | 174 | 445 | 27 |
| V-140 | 1/60 | 455 | 270 | 245 | 315 | 318 | 210 | 108 | 140 | 243 | 207 | 510 | 35 |

| FRAME NO. | GEAR RATIO | Z | HS | LS | L1 | L2 | INPUT | | | | OUTPUT | | | |
|-----------|------------|----|----|----|----|----|-------|----|----|----|--------|----|----|----|
| | | | | | | | U | T | Y1 | V | S | W | Y2 | X |
| V-49 | 1/10 | 10 | 35 | 40 | 30 | 38 | 16 | 5 | 5 | 13 | 23 | 7 | 7 | 19 |
| V-60 | 1/15 | 11 | 40 | 45 | 35 | 40 | 18 | 5 | 5 | 15 | 28 | 7 | 7 | 24 |
| V-77 | 1/20 | 13 | 45 | — | 40 | 50 | 23 | 7 | 7 | 19 | 30 | 7 | 7 | 26 |
| V-88 | 1/30 | 14 | 55 | — | 50 | 55 | 28 | 7 | 7 | 24 | 35 | 10 | 8 | 30 |
| V-96 | 1/40 | 14 | 55 | 60 | 50 | 55 | 28 | 7 | 7 | 24 | 38 | 10 | 8 | 33 |
| V-120 | 1/40 | 18 | 60 | 70 | 55 | 65 | 32 | 10 | 8 | 27 | 43 | 12 | 8 | 38 |
| V-125 | 1/50 | 19 | 60 | 80 | 55 | 75 | 35 | 10 | 8 | 30 | 50 | 12 | 8 | 45 |
| V-140 | 1/60 | 19 | 75 | 90 | 70 | 80 | 38 | 10 | 8 | 33 | 60 | 15 | 10 | 55 |

SY-DH WORM REDUCER/STD WORM



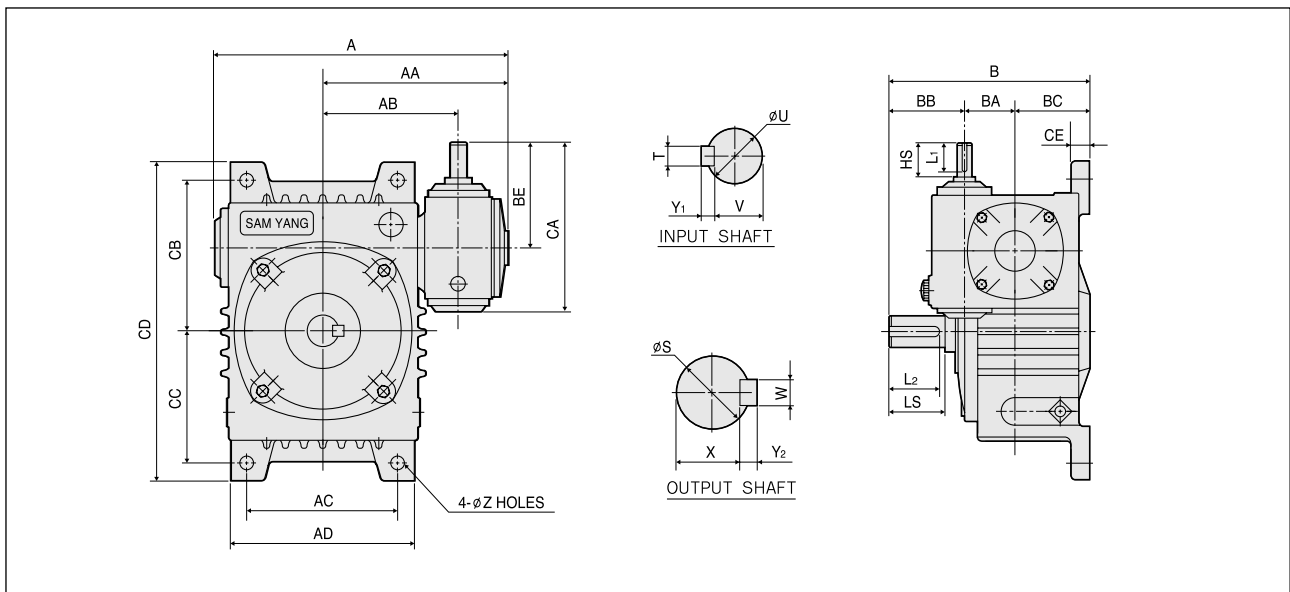
*120형~140형은 EYE BOLT가 취부됨으로 전체 높이가 45mm 증가됨

DIMENSION

| FRAME NO. | GEAR RATIO | A | AA | AB | AC | AD | B | BB | BC | BD | BE | CA | CB | CD | CE |
|-----------|------------|-------|-------|-------|-----|-----|-----|-----|-----|-----|-----|-----|-----|-----|----|
| DH-60 | 1/200 | 275 | 187 | 126 | 140 | 170 | 238 | 122 | 120 | 155 | 116 | 220 | 131 | 114 | 16 |
| DH-77 | 1/300 | 291 | 195 | 134 | 165 | 200 | 253 | 134 | 125 | 155 | 119 | 257 | 150 | 116 | 20 |
| DH-88 | | 336 | 213 | 149 | 170 | 220 | 275 | 150 | 150 | 180 | 125 | 283 | 171 | 143 | 23 |
| DH-96 | 1/400 | 369 | 229.5 | 165.5 | 220 | 260 | 292 | 167 | 160 | 195 | 125 | 314 | 180 | 144 | 23 |
| DH-120 | 1/500 | 418.5 | 258 | 198.5 | 275 | 325 | 317 | 176 | 170 | 210 | 141 | 422 | 227 | 177 | 27 |
| DH-125 | 1/600 | 429 | 264 | 204 | 290 | 350 | 329 | 188 | 180 | 235 | 141 | 438 | 237 | 182 | 30 |
| DH-140 | | 467 | 282 | 222 | 290 | 355 | 351 | 210 | 200 | 255 | 141 | 478 | 259 | 189 | 33 |

| FRAME NO. | GEAR RATIO | Z | HS | LS | L1 | L2 | INPUT | | | | OUTPUT | | | |
|-----------|------------|----|----|----|----|----|-------|---|----|----|--------|----|----|----|
| | | | | | | | U | T | Y1 | V | S | W | Y2 | X |
| DH-60 | 1/200 | 11 | 35 | 45 | 30 | 40 | 16 | 5 | 5 | 13 | 28 | 7 | 7 | 24 |
| DH-77 | 1/300 | 13 | 40 | — | 35 | 50 | 18 | 5 | 5 | 15 | 30 | 7 | 7 | 26 |
| DH-88 | | 14 | 45 | — | 40 | 55 | 23 | 7 | 7 | 19 | 35 | 10 | 8 | 30 |
| DH-96 | 1/400 | 14 | 45 | 60 | 40 | 55 | 23 | 7 | 7 | 19 | 38 | 10 | 8 | 33 |
| DH-120 | 1/500 | 18 | 50 | 70 | 45 | 65 | 25 | 7 | 7 | 21 | 43 | 12 | 8 | 38 |
| DH-125 | 1/600 | 19 | 50 | 80 | 45 | 75 | 25 | 7 | 7 | 21 | 50 | 12 | 8 | 45 |
| DH-140 | | 19 | 50 | 90 | 45 | 80 | 25 | 7 | 7 | 21 | 60 | 15 | 10 | 55 |

SY-DV WORM REDUCER



DIMENSION

| FRAME NO. | GEAR RATIO | A | AA | AB | AC | AD | B | BA | BB | BC | BE | CA | CB | CC | CD | CE |
|-----------|------------|-------|-------|-------|-----|-----|-----|----|-----|-----|-----|-----|-----|-----|-----|----|
| DV-60 | 1/200 | 278 | 187 | 126 | 105 | 150 | 192 | 43 | 79 | 70 | 116 | 183 | 130 | 103 | 265 | 15 |
| DV-77 | 1/300 | 298 | 195 | 134 | 125 | 166 | 209 | 43 | 91 | 75 | 119 | 190 | 153 | 107 | 300 | 17 |
| DV-88 | | 332 | 207 | 149 | 145 | 195 | 231 | 60 | 90 | 81 | 125 | 207 | 165 | 130 | 325 | 23 |
| DV-96 | 1/400 | 372 | 229 | 165 | 180 | 232 | 258 | 60 | 107 | 91 | 125 | 207 | 175 | 140 | 355 | 23 |
| DV-120 | 1/500 | 420 | 258 | 198.5 | 15 | 260 | 271 | 70 | 106 | 95 | 141 | 235 | 220 | 155 | 415 | 27 |
| DV-125 | 1/600 | 426.5 | 262 | 202.5 | 221 | 270 | 309 | 70 | 120 | 119 | 141 | 235 | 220 | 174 | 445 | 27 |
| DV-140 | | 467 | 281.5 | 222 | 245 | 315 | 318 | 70 | 140 | 108 | 141 | 235 | 243 | 207 | 510 | 35 |

| FRAME NO. | GEAR RATIO | Z | HS | LS | L1 | L2 | INPUT | | | | OUTPUT | | | |
|-----------|------------|----|----|----|----|----|-------|---|----|----|--------|----|----|----|
| | | | | | | | U | T | Y1 | V | S | W | Y2 | X |
| DV-60 | 1/200 | 11 | 35 | 45 | 30 | 40 | 16 | 5 | 5 | 13 | 28 | 7 | 7 | 24 |
| DV-77 | 1/300 | 13 | 40 | — | 35 | 50 | 18 | 5 | 5 | 15 | 30 | 7 | 7 | 26 |
| DV-88 | | 14 | 45 | — | 40 | 55 | 23 | 7 | 7 | 19 | 35 | 10 | 8 | 30 |
| DV-96 | 1/400 | 14 | 45 | 60 | 40 | 55 | 23 | 7 | 7 | 19 | 38 | 10 | 8 | 33 |
| DV-120 | 1/500 | 18 | 50 | 70 | 45 | 65 | 25 | 7 | 7 | 21 | 43 | 12 | 8 | 38 |
| DV-125 | 1/600 | 19 | 50 | 80 | 45 | 75 | 25 | 7 | 7 | 21 | 50 | 12 | 8 | 45 |
| DV-140 | | 19 | 50 | 90 | 45 | 80 | 25 | 7 | 7 | 21 | 60 | 15 | 10 | 55 |